



button-fix
Panel fixing made easy

THE **NEW** TYPE 2 COMPACT

**PUSH ON
FOR EASY
PANEL
REMOVAL**



**DROP
DOWN
FOR GREATER
SECURITY**

The most compact and versatile Button-fix solution yet:

Smaller installation depth than Type 2

Two interchangeable Fixes; one Button

Ideal for washroom services ducts (IPS systems) and
access panels below vanity counters

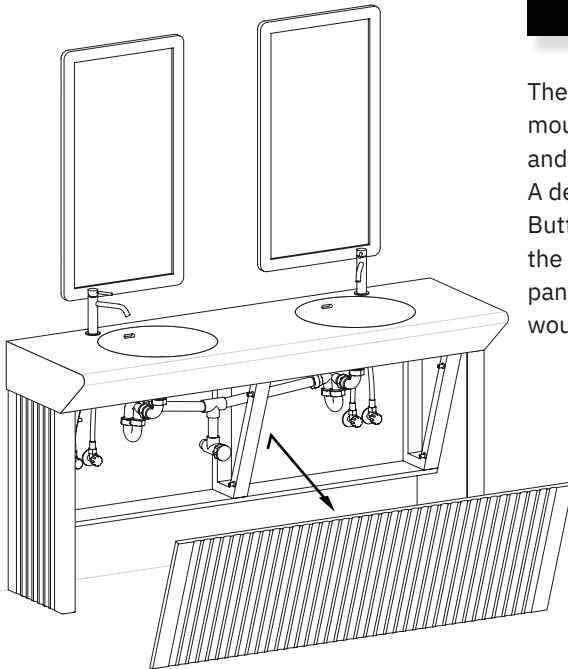


button-fix

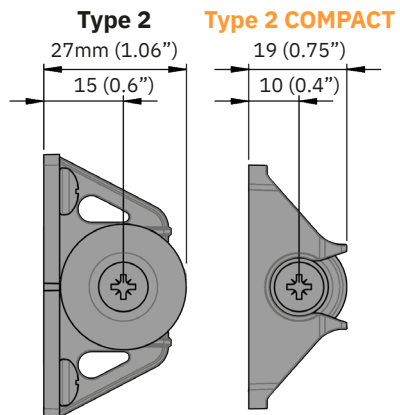
Panel fixing made easy

Like the original Type 2, Type 2 COMPACT Button-fixes connect panels at 90° or to a frame. But their more compact installation depth allows the Button to be fitted to the edge of an aperture in an 18mm (3/4") panel—ideal for a service access window.

Unlike Type 2, the drop-down version of Type 2 COMPACT is not restricted to vertical panels and can be used in angled or horizontal applications. For example, it is ideal for mounting panels to conceal plumbing below washbasin vanity units, including wheelchair-accessible washstands compliant with the Americans with Disabilities (ADA) regulations.



The push-on Fix for Type 2 COMPACT is moulded from acetal. The drop-down Fix and Button are 30% glass-filled nylon PA6. A dedicated Marker accessory aligns the Button with the correct back-set and marks the position of the Fix on the removable panel, to make installation as easy as you would expect from Button-fix.



button-fix.com